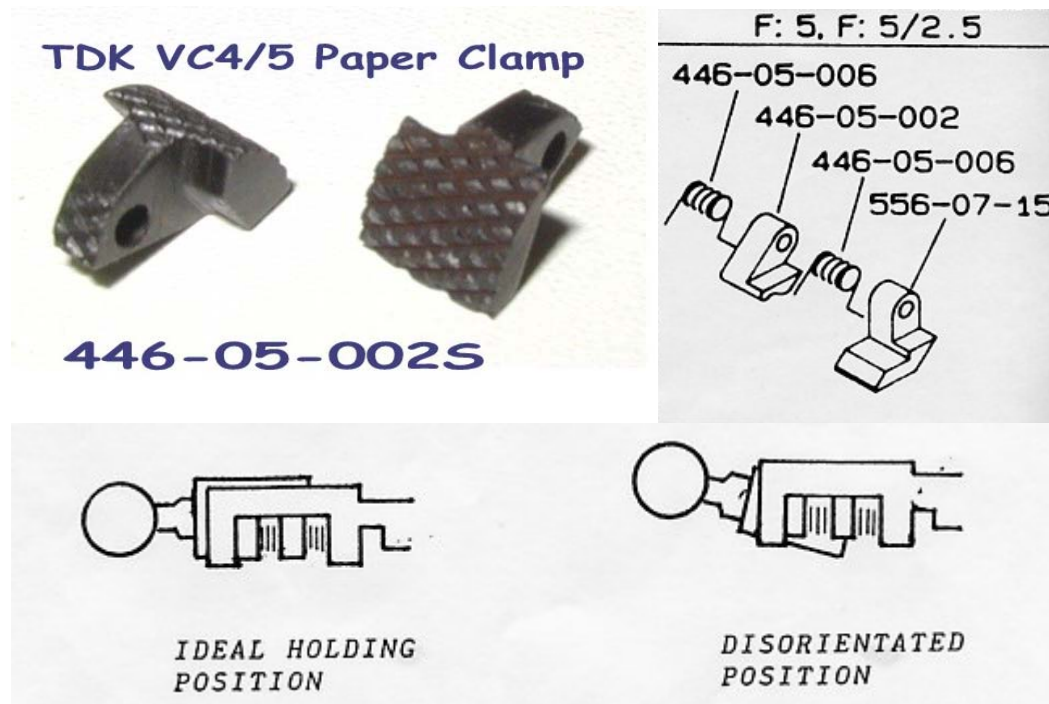


**TDK VC4/VC5 RADIAL INSERTION MACHINES
IMPROVED PAPER CLAMP – IN METAL WITH KNURL, P/N 446-05-002S.**



The original paper clamp is made of plastic, which get worn out fast, light weight and get smoothened fast. These make holding of components tape ineffective, disorientated on the pallet unit and component drop during the transfer to the chucking unit. Our innovation removes all the problems and last a lifetime.

THE PROBLEMS:

1. Component disorientated in the pallet unit.
2. The chucking unit could not collect the component successfully from the pallet unit.
3. The paper tape cutter will cut the leads of the components instead of the paper tape and shorten the life span of the tape cutters.

THE SOLUTION:

AVI redesigned the paper clamp, replaced plastic with tool steel, knurled and blackened it. The result is a paper clamp that holds the component tape firmly, last a lifetime and remove all of the above problems completely.

THE GUARANTEE:

AVI is so confident in our paper clamp that we give life time guarantee that "Should any of our clamps failed to hold on to your components firmly during the lifetime of your machines, just return them for a free replacement, unlimited times of replacements"

If you are unconvinced or wanted to test it out, call, fax or email us for a free sample.

